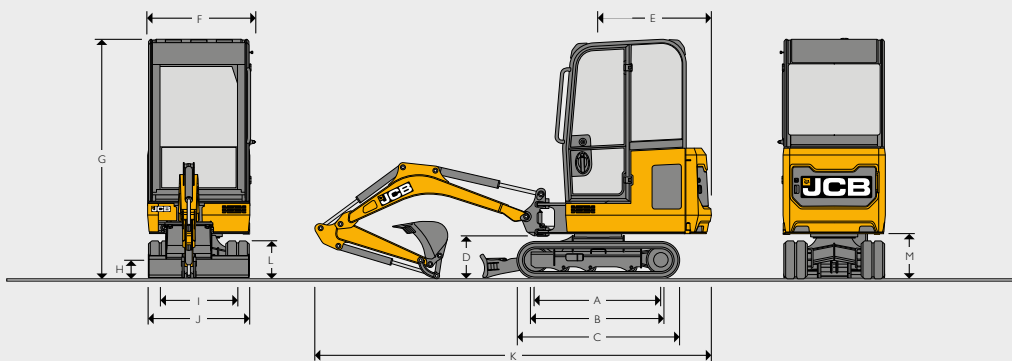


STATIC DIMENSIONS



Machine model		18z-1	19c-1	19c-1 EP
A	Sprocket idler centres	mm	1218	1218
B	Track length on ground	mm	1220	1220
C	Undercarriage overall length - rubber	mm	1578	1578
	Undercarriage overall length - steel	mm	1578	1578
D	Kingpost clearance	mm	409	409
E	Tailswing radius	mm	685	1103
F	Overall width of superstructure	mm	996	996
G	Height over cab	mm	N/A	2328
	Height over canopy	mm	2340	2345
H	Ground clearance	mm	162	162
I	Track gauge - retracted/extended	mm	750-1110	750-1110
J	Width over tracks / rubber / steel - retracted	mm	980	980
	Width over tracks / rubber / steel - extended	mm	1330	1330
K	Transport length	mm	3547	3860
L	Track height	mm	367	367
M	Counterweight clearance	mm	434	434

ENGINE

Machine model		18z-1, 19c-1, 19c-1 EP
Model		403D-07
Fuel		Diesel
Cooling		Water cooled
Gross power ISO 14396	kW	11.7 @ 2550 rpm
Net power	kW	10.8 @ 2550 rpm
Max. torque ISO 14396	Nm	45.6 @ 2000 rpm
Displacement	cc	762
Gradeability	degrees	35°
Starter motor	kW	1.2
Battery	volt / amps	12V / 65AH
Alternator	amps (aircon)	60

UNDERCARRIAGE

Machine model		18z-1	19c-1	19c-1 EP
		Retractable	Retractable	Retractable
No. of bottom rollers		3	3	3
Track width rubber	mm	230	230	230
Track width steel	mm	230	230	230
Travel speed – low	kph	2.4	2.4	2.4
Travel speed – high	kph	4.1	4.1	4.1
Tractive effort	kN	13.2	13.2	13.2

HYDRAULIC SYSTEM

Machine model		18z-1	19c-1	19c-1 EP
Pump	cc	18	18	18
Nominal output @ 2000rpm	lpm	36	36	36
Excavator/track main relief pressure	bar	235	235	235
Slew main relief pressure	bar	167	167	167
Auxiliary hydraulic pressure (Aux 1)	bar	200	200	200
Auxiliary hydraulic pressure (Aux 2)	bar	N/A	N/A	200
Auxiliary hydraulic flow (Aux 1)	lpm	32	32	32
Auxiliary hydraulic flow (Aux 2)	lpm	N/A	N/A	32
Hydraulic pump		Piston	Piston	Piston

WEIGHTS

Machine model		18z-1	19c-1		19c-1 EP	
		Canopy	Canopy	Cab	Canopy	Cab
Operating weight*	kg	1749	1830	1910	1863	1943
FOPS (Falling Object Protective Structure) guard	kg	N/A	N/A	15	N/A	15
Steel tracks	kg	81	81	81	81	81
Long dozer	kg	9	9	9	9	9
Mechanical quickhitch	kg	14	14	14	14	14
Hydraulic quickhitch (without hoses)	kg	N/A	N/A	N/A	24	24
Gravemaster dipper	kg	N/A	N/A	N/A	5	5
Shipping weight**	kg	1655	1736	1816	1769	1849
Ground bearing pressure (rubber tracks)	kg/cm ²	0.33	0.35	0.36	0.36	0.37
Ground bearing pressure (steel tracks)	kg/cm ²	0.35	0.36	0.38	0.38	0.39
Transport weight (operator weight - 75kg)	kg	1674	1755	1835	1788	1868

*Operator weight to ISO 6016 including cab/canopy, rubber tracks, 950 dipper (19C-1 & 18Z-1), 1100 dipper (19C-1 EP), 300mm bucket, full tanks and a 75kg operator. **Shipping weight to ISO 6016 is mass of the base machine without operator, with fuel level at 10% of tank capacity.

SERVICE CAPACITIES

Machine model		18z-1	19c-1	19c-1 EP
Fuel tank	ltr	20.5	18.5	18.5
Engine coolant	ltr	Canopy model: 4.2	Canopy model: 4.2 Cab model: 4.7	Canopy model: 4.2 Cab model: 4.7
Engine oil	ltr	2.5	2.5	2.5
Hydraulic system	ltr	28	28	28
Hydraulic tank	ltr	15	15	15

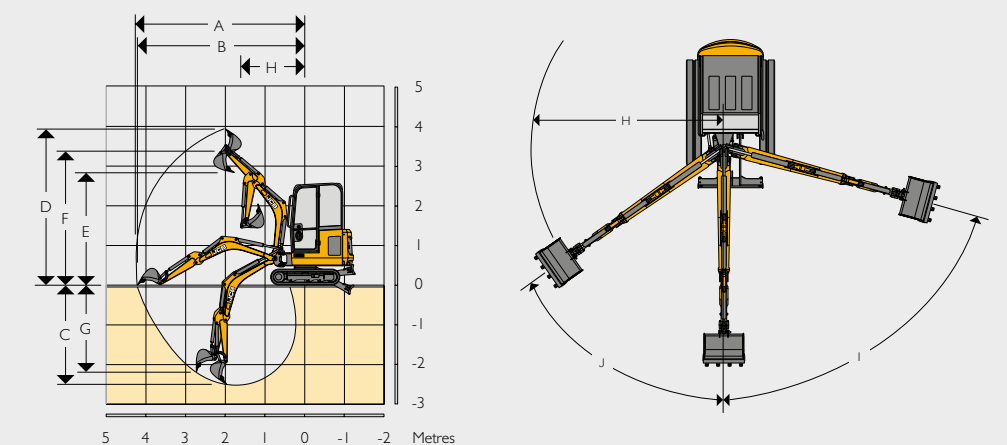
OPERATOR ENVIRONMENT

Machine model		18z-1	19c-1	19c-1 EP
Cab/canopy height	mm	2346	2330 / 2347	2330 / 2347
Cab/canopy height with FOGS guard LEVEL I	mm	2346	2349 / 2347	2349 / 2347
Cab/canopy length with FOGS guard LEVEL I	mm	1107	1236 / 1427	1236 / 1427
Cab/canopy length	mm	1107	1202 / 1427	1202 / 1427
Cab/canopy width	mm	978	976 / 978	976 / 978

DOZER

Machine model		18z-1	19c-1	19c-1 EP
Dozer length (STD) centre of boss	mm	787	787	787
Max. height above ground	mm	239	239	239
Dig depth below ground	mm	225	225	225
Approach angle	degrees	25.3	25.3	25.3
Width (without wings)	mm	980	980	980
Width (with wings)	mm	1340	1340	1340
Height	mm	234	234	234

WORKING RANGE



		18z-1 / 19c-1 / 19c-1 EP (950mm Dipper)	18z-1 / 19c-1 / 19c-1 EP (1100mm Dipper)	19c-1 EP (1344mm Gravemaster Dipper)
	Boom length	mm	1800	1800
A	Max. digging reach	mm	3899	4043
B	Max. digging reach on ground	mm	3834	3981
C	Max. digging depth – dozer up	mm	2271	2421
	Max. digging depth – dozer down	mm	2426	2576
D	Max. digging height	mm	3556	3667
E	Max. dump/load-over height	mm	2598	2637
F	Max. height to dipper nose pivot pin	mm	3116	3154
G	Max. vertical wallcut depth	mm	1933	2139
H	Min. front swing radius (no offset)	mm	1488	1517
	Min. front swing radius (fully offset)	mm	1171	1196
I	Boom swing left	degrees	75°	75°
J	Boom swing right	degrees	55°	55°
	Bucket rotation	degrees	201°	201°
	Dipper rotation	degrees	126°	126°
	Bucket tearout (power position)	kN	18	18
	Dipper tearout	kN	10.1	9.1
	Slew speed	rpm	7.9	7.9

EQUIPMENT			
Machine model	18Z-1	19C-1	19C-1 EP
SERVICE AND MAINTENANCE			
Beacon ready kit	•	•	•
Single element air cleaner	•	•	•
500 hours dig end greasing intervals	•	•	•
Grease gun & cartridge	+	+	+
Toolkit	+	+	+
Automatic glow plug			+
TRACKS AND UNDERCARRIAGE			
230mm short pitch rubber tracks	•	•	•
Two speed tracking	•	•	•
Retractable undercarriage	•	•	•
Extendable dozer blade	•	•	•
Auto kick down track motors			•
Heavy duty recoiled tracked tensioners	•	•	•
230mm long pitch rubber tracks	+	+	+
230mm steel tracks	+	+	+
Long dozer blade	+	+	+
Auto kick down track motors	+	+	
OPERATOR STATION			
Full audio visual warning systems	•	•	•
Full control isolation	•	•	•
12 volt power socket	•	•	•
ISO servo controls	•	•	•
Static seat	•	•	•
Electro-proportional thumb controlled dual flow auxiliary			+
Dual patterned controls (ISO/SAE changeover)	+	+	+
Fabric suspension seat		+	+
Vinyl suspension seats	+	+	+
LED interior lights		+	+
Sunblind	+	+	+
Fire extinguisher	+	+	+
Track lever pedals	+	+	+
Full radio kit		+	+
HYDRAULICS			
Hydraulic slew travel lock	•	•	•
Single acting auxiliary circuit	•	•	•
Variable displacement pump	•	•	•
Straight line travel circuit	•	•	•
ORFS hydraulics	•	•	•
Quick release auxiliary couplers	•	•	•
Double acting auxiliaries	+	+	+
Auxiliary vent			+

Machine model	18Z-1	19C-1	19C-1 EP
PROTECTION AND SAFETY			
ROPS, TOPS & FOGS certified canopy	•	•	•
ROPS & TOPS certified cab		+	+
Internal lockable toolbox	•	•	•
Protected boom work light	•	•	•
2GO hydraulic isolation	•	•	•
Cesar Data Tag (UK ONLY)	•	•	•
Battery isolator (Europe)	•	•	•
Rotating beacon	+	+	+
Seat belt engaged green beacon	+	+	+
LiveLink	+	+	+
Pin pad immobiliser	+	+	+
Key immobiliser	+	+	
Polycarbonate front screen protection	+	+	+
Boom LED worklight & guard	+	+	+
FOGS guard level I	•	+	+
White noise travel alarm	+	+	+
EXTERNAL EQUIPMENT			
Standard dipper (mm)	950	950	1100
Tie down points	•	•	•
LED beacon	+	+	+
Dipper options (mm)	1100	1100	950/1344
Halogen work lights	+	+	+
Heavy duty kingpost	•	•	•
Exterior mirrors	+	+	+
Full bucket range	+	+	+
Mechanical quick hitch	+	+	+
Hydraulic quick hitch			+
Thumb ready dipper	+	+	+


STANDARD •


OPTIONAL +

LIFT CAPACITIES – 230MM RUBBER TRACKS, 1800MM BOOM, 1100MM DIPPER, NO BUCKET.																								18Z-1	
Load Point	1.5m				2.0m				2.5m				3.0m				3.5m				Capacity at maximum reach				
Height	Extended	Retracted	Dozer Up	Dozer Down	Extended	Retracted	Dozer Up	Dozer Down	Extended	Retracted	Dozer Up	Dozer Down	Extended	Retracted	Dozer Up	Dozer Down	Extended	Retracted	Dozer Up	Dozer Down	Extended	Retracted	Dozer Up	Dozer Down	Distance
m	kg	kg	kg	kg	kg	kg	kg	kg	kg	kg	kg	kg	kg	kg	kg	kg	kg	kg	kg	kg	kg	kg	kg	kg	mm
2.5					387*	164	398*	304*	336*	155	313*	351*													2690
2.0					379*	159	390*	329*	331*	255*	311*	315*	218	115	245*	420*									3000
1.5					364*	151	374*	426*	383*	143	370*	400*	221	107	257*	386*									3300
1.0	751*	305	827*	950*	452*	185	535*	621*	293	136	279	492*	263	97	215	424*	203*	80	170	364	203*	170	364*	80	3500
0.5	714	207	529	976*	492	167	377	742*	321	123	279	540*	218	100	216	437*	199*	74	167	348	199*	167	348*	74	3500
0	458	171	446	932*	357	146	350	733*	401	100	242	541*	202	95	195	411*									3400
-0.5	615	161	438	835*	327	125	314	631*	274	99	241	484*	197	100	197	359*									3250
-1.0	392	209*	402	686*	263	125	287	555*	212	106	221	403*	183	92	196	298*									3000
-1.5	396	214	406	464*	269	128	292	383*	269																2200

LIFT CAPACITIES – 230MM RUBBER TRACKS, 1800MM BOOM, 950MM DIPPER, NO BUCKET.																								19C-1	
Load Point	1.5m				2.0m				2.5m				3.0m				Capacity at maximum reach								
Height	Extended	Retracted	Dozer Up	Dozer Down	Extended	Retracted	Dozer Up	Dozer Down	Extended	Retracted	Dozer Up	Dozer Down	Extended	Retracted	Dozer Up	Dozer Down	Extended	Retracted	Dozer Up	Dozer Down	Extended	Retracted	Dozer Up	Dozer Down	Distance
m	kg	kg	kg	kg	kg	kg	kg	kg	kg	kg	kg	kg	kg	kg	kg	kg	kg	kg	kg	kg	kg	kg	kg	kg	mm
2.5													401*	270	404*	420*									2500
2.0													372*	363*	376*	396*	404*	224	392*	412*	404*	224	392*	412*	3000
1.5					465	439*	479*	506*	432*	278	445*	460*	398*	211	397*	417*	367*	188	371*	394*					3250
1.0	942*	496	952*	987*	698	380	694*	732*	522*	280	524*	550*	430*	228	430*	451*	296	187	316	396*					3400
0.5	718*	443	766	985*	599	348	617	806*	437	275	443	585*	343	214	363	460*	286	191	303	378*					3300
0	840*	463	902*	885*	573	349	581	753*	435	269	449	586*	346	215	346	437*	346*	189	361*	363*					3300
-0.5	856*	410	799*	820*	642	306	606*	634*	505*	258	452*	463*	385*	204	345*	345*	323*	197	313*	318*					3250
-1.0	616*	403	668*	668*	509	302	518*	518*	383*	251	372*	372*					296*	231	295*	294*					2900
-1.5					403*	298	413*	308*													330*	252*	338*	252*	2230

LIFT CAPACITIES – 230MM RUBBER TRACKS, 1800MM BOOM, 1100MM DIPPER, NO BUCKET.																								19C-1 EP	
Load Point	1.5m				2.0m				2.5m				3.0m				3.5m				Capacity at maximum reach				
Height	Extended	Retracted	Dozer Up	Dozer Down	Extended	Retracted	Dozer Up	Dozer Down	Extended	Retracted	Dozer Up	Dozer Down	Extended	Retracted	Dozer Up	Dozer Down	Extended	Retracted	Dozer Up	Dozer Down	Extended	Retracted	Dozer Up	Dozer Down	Distance
m	kg	kg	kg	kg	kg	kg	kg	kg	kg	kg	kg	kg	kg	kg	kg	kg	kg	kg	kg	kg	kg	kg	kg	kg	mm
2.5					520*	417	540*	439*	332*	319*	292*	301*													2690
2.0					564*	410	586*	476*	334*	321*	297*	311*	373*	219	341	357*									3000
1.5					615*	396	634*	615*	402*	298	395*	392*	385*	220	356	375*									3300
1.0	689*	430	837	962*	644*	407	613*	646*	494*	286	461*	482*	395*	218	380	398*	274	170	264	336*	274	170	264	336*	3500
0.5	665	417	789	986*	591	359	634	812*	451	273	454	575*	339	209	390	433*	267	165	272	344*	267	165	272	344*	3500
0	780	490	795	958*	566	359	599	769*	424	267	439	552*	257	205	353	438*					306*	170	328*	332*	3400
-0.5	918*	494	902*	920*	673*	359	590	724*	492*	272	432	532*	371*	214	378	392*					308*	191	313*	324*	3250
-1.0	701*	479	705*	788*	551*	350	559*	596*	424*	266	421*	442*	290*	248*	323*	334*					290*	248*	323*	334*	3000
-1.5	512*	476	480*	527*	460*	360	412*	428*													354*	298	348*	388*	2200

 Lift capacity over front.

 Lift capacity full circle.

Notes:

- Lifting capacities are based on ISO 10567, that is: 75% of minimum tipping load or 87% of hydraulic lift capacity, whichever is the less. Lifting capacities marked* are based on hydraulic capacity.
- Lift capacities assume that the machine is on firm level ground and equipped with an approved lifting point.
- A bucket must be fitted when lifting, the weight of this bucket must be deducted from the above lift capacities.
- Lift capacities may be limited by local regulations. Please refer to your dealer.